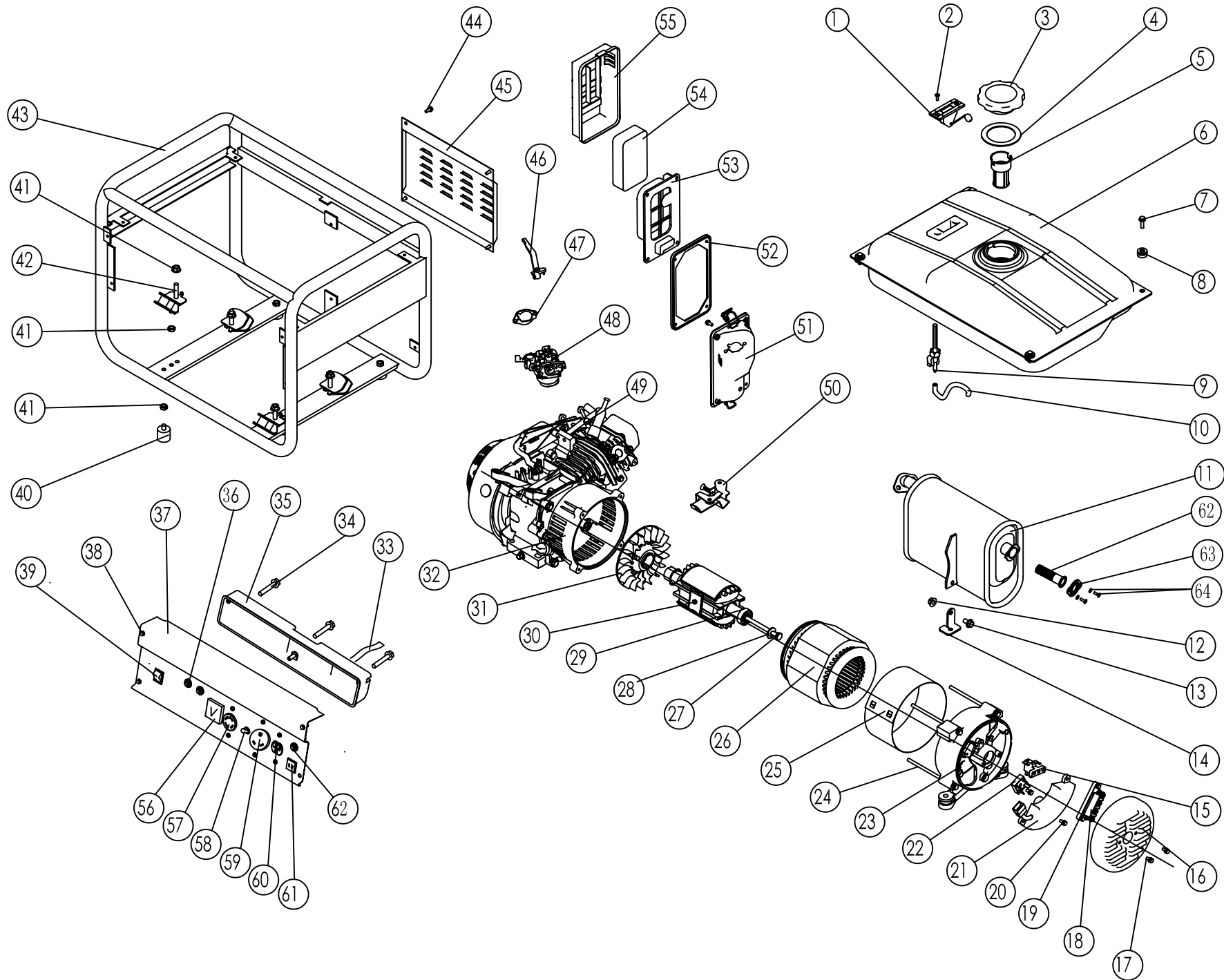


C46540



C46540

Item	Part Number	Description	Qty.
1	ST168FD-1160100	Fuel Meter Assy.	1
2	GB1667-S5-6	Screw M5×6	2
3	ST168FD-1160200	Fuel Tank Cap	1
4	ST168FD-1160200A	Fuel Tank Cap Seal	1
5	ST168F-1160500	Fuel Filter	1
6	ST168FD-1160001A	Fuel Tank	1
7	GB5781-B6-16	Bolt M6×16	4
8	ST168FD-1163000	Tank Rubber	4
9	ST168FD-1160400	Fuel Cock	1
10	ST168FD-1160002	Fuel Line	1
11	ST168FD-1100200N	Muffler	1
12	GB41-N-6	Nut M6	1
13	GB5781-B6-20	Bolt M6×20	1
14	ST168FD-1100002B	Muffler Stay	1
15	ST02FD-1152035	Brush Assy.	1
16	ST02FD-1152002	Generator End Cover	1
17	GB5781-B5-10	Bolt M5×10	2
18	GB5781-B5-16	Bolt M5×16	2
19	ST168FD-1150230	Terminal	1
20	GB5781-B5-15	Bolt M5×15	2
21	ST168FD-1152031	AVR	1
22	ST168FD-1152004	Diode Assy.	1
23	ST02FD-1152032	End Cover	1
24	GB5789-FB6-130	Flange Bolt M6×130	4
25	ST02FD-1152001	Stator Cover	1
26	ST02FD-1152020	Stator Assy.	1
27	GB5789-FB8-210	Flange Bolt M8×210	1
28	GB90-W-6	Washer ø 6	1
29	GB276-BB-6202	Bearing 6202	1
30	ST02FD-1152010	Rotor Comp.	1
31	ST02FD-1152009	Cooling Fan	1
32	ST168FD-1030007	Crankcase Cover	1
33	ST02FD-1151206M	Wire Protector Hose	1

34	GB5789-FB6-35	Flange Bolt M6×35	3
35	ST02FD-1151340	Control Box	1
36	ST05FD-1151202-15A	15 Amp Circuit Breaker	2
37	ST02FD-1151211-RV	Control Panel	1
38	GB5789-FB5-12	Flange Bolt M5×12	4
39	ST02FD-1151205A	Ignition Switch	1
40	ST02FD-1151400-19	Rubber Pad	4
41	GB41-N-8	Nut M8	12
42	ST02FD-1151300-51	Motor Mount	4
43	ST02FD-1151100A	Frame	1
44	GB5789-FB6-12	Flange Bolt M6×12	4
45	ST02FD-1151002	Muffler Cover	1
46	ST02FD-1151201A	Choke Lever Comp.	1
47	ST168FD-1130005	Carburetor Packing	1
48	ST168FD-1130003N	Carburetor	1
49	ST168F-1000000	6.5 HP OHV Engine	1
50	ST168FD-1111100	Control Assy.	1
51	ST168FD-1090100	Air Cleaner Case Comp.	1
52	ST168FD-1090002	Air Cleaner Seal	1
53	ST168FD-1090003	Separator	1
54	ST168FD-1090004	Element	1
55	ST168FD-1090200	Air Cleaner Cover Comp.	1
56	ST02FD-1151204A	Volt Meter	1
57	ST02FD-1151200B	120/240v. Receptacle	1
58	ST02FD-1151201M	Voltage Selector	1
59	ST02FD-1151202M	RV Receptacle	1
60	ST02FD-1151203M	120v. AC Receptacle	1
61	ST02FD-1151200D	DC Receptacle	1
62	ST05FD-1151202-10A	10 Amp Circuit Breaker	1
63	ST168FD-1100201A	Spark Arrester Comp.	1
64	ST168FD-1100201B		1
65	ST168FD-1100201C		2